

The logo for DONE, featuring the word "DONE" in a bold, teal, sans-serif font. The letter "D" is stylized with a white circular element on its left side. The logo is contained within a white rounded square with a thin teal border.

MXC SERIES LED DRIVERS

DL-80H-A/P-MXC SPEC V1.4

Features

- Class I structure
- Input voltage: 100-305V ~ 50/60 Hz
 Rated input voltage: 200-277V ~ 50/60Hz
- Efficiency :90%(Typ.)
- Constant power drive and constant current output control mode
- Metal shell structure, protection grade: IP67
- Lightning protection level: differential mode 6kV, common mode 10kV
- Function selection:
 Output current is adjusted by external potentiometer (A version only)
 Isolated 3 in 1 dimming (P version only)
- Lifetime design: 5 years



Applications

Road lighting, Industrial lighting, Venue lighting
 Floodlight lighting, Landscape lighting, Plant lighting



Model list

Model NO.	Input voltage	Output power	Output voltage	The default current	Eff.	T.H.D	PF
DL-80H-56A/P-MXC	100-277V 50/60Hz	80W	25-56Vdc	2A	≥90%	≤10%	≥0.95
DL-80H-115A/P-MXC	100-277V 50/60Hz	80W	57-115Vdc	0.7A	≥90%	≤10%	≥0.95

- Note :**
1. Test conditions of the above parameters: Ta=25°C, 230Vac input, full load operation for 30 minutes.
 2. When the input is less than 165 ± 15Vac, the output power gradually decreases. When the input 200-277VAC, rated power 80W. Please refer to "THE OUTPUT POWER VS INPUT VOLTAGE" curve chart for details.

Input characteristics

Parameter	Min	Typ.	Max	Note
Rated input voltage	200Vac	230Vac	277Vac	
Input voltage range	100Vac		305Vac	Voltage below 165V±15VAC, derated output half power
Rated frequency	47Hz	50/60Hz	63Hz	
Power factor	0.95	-	-	@230Vac full load
T.H.D.	-	-	10%	@230Vac full load
Input current	-	-	0.5A	@200Vac full load
Inrush current	-	-	70A	230Vac, cold start (25°C)

Output characteristic

Parameter	Min	Typ.	Max	Note
Rated current				
DL-80H-56A/P-MXC	-	1.42A	-	
DL-80H-115A/P-MXC	-	0.7A	-	
Output current range				
DL-80H-56A/P-MXC	1.07A	-	2.23A	
DL-80H-115A/P-MXC	0.5A	-	1.05A	
Output voltage range				Constant power voltage range:
DL-80H-56A/P-MXC	25V	-	56V	36-56V
DL-80H-115A/P-MXC	57V	-	115V	76-115V
Rated power(100-150Vac)	-	40W	-	The derating begins when the input voltage is less than 165±15Vac
Rated power(200-277Vac)	-	80W	-	
No-load voltage				
DL-80H-56A/P-MXC	-	-	75V	
DL-80H-115A/P-MXC			160V	
Efficiency@200Vac				
DL-80H-56A/P-MXC	89%	90%	-	full load@200VAC
DL-80H-115A/P-MXC	87%	89%		
Efficiency@230Vac				
DL-80H-56A/P-MXC	89%	90%	-	full load@230Vac
DL-80H-115A/P-MXC	88%	90%		

Output characteristic

Parameter	Min	Typ.	Max	Note
Output Current Ripple	-	5% Iomax	-	100% load , 20 MHz BW Ripple =rms/ average
Accuracy of output current	-5%	-	+5%	
Line regulation	-5%	-	+5%	
Load regulation	-5%	-	+5%	
Starting time	-	-	500ms	full load@230Vac

Note:

1. The output current range is limited by the input and output voltage, please refer to "I-V WORKING AREA" for details.
2. When the input voltage is between 150 and 180VAC, the output power may be between half load and full load due to the conversion threshold deviation. Please pay special attention.

Dimming characteristic

Parameter		Min	Typ.	Max	Note
1-10V Dimming (Optional)	Safe applied voltage range	1V	-	12V	When the external voltage is \geq 12V, the dimming will fail
	Dimming output range	10%	-	100%	-
	Rated dimming voltage range	1V	-	10V	It can be set to negative dimming mode through program setting
PWM Dimming (Optional)	PWM high level	9.5V	-	10.5V	-
	PWM low level	0	-	0.3V	-
	PWM frequency band	300Hz	-	2000Hz	-
	PWM duty cycle	10%	-	99%	Output full power at 99% duty cycle
Resistor Dimming (Optional)	External resistance value	10K Ω	-	100K Ω	-
	Dimming output range	10%	-	100%	-
Multiple time-controlled dimming (optional)	MCU control	Set segment dimming function through program			Working mode
	Timer control	It is divided into six segments by default and can be customized			24H to achieve a cycle

Note:

1. Output current of dimming port: 100uA (typical value).
2. Dimming The default setting is 3-in-1 positive logic dimming (it can be set to timing dimming, 0-5V or other voltage dimming by programming software).Dimming default setting is three in one positive logic dimming (programmable software can be set to timing dimming, 0-5V or other voltage dimming).
3. Set to positive logic dimming function, achieve 0V dimming off, dimming off after the output voltage is $0.46 \times V_{omax}$, pay attention to the application, but it is recommended that customers use 1-10V dimming.
4. When negative logical dimming is set, the default output is 100% when the dimming light is suspended. Negative logic dimming cannot be turned off. When the voltage of the dimming port is greater than 10.5V, the maximum power output of the power supply is generated.

Protection

Function	Function instructions
Input under-voltage protection	When the input voltage is less than 165±15Vac, the output power gradually decreases.
Output overload protection	Protection mode:hiccup mode,recovers automatically after fault condition is removed.
Output short circuit protection	Hiccup mode:recovers automatically after fault condition is removed
Over temperature protection	Self-recovery type: When the housing temperature is greater than 90°C, the output power decreases gradually.
Output over-voltage protection	Protection mode: Hiccup mode or clamped in output highest voltage , the product is not damaged , LED driver works normally after fault condition is removed.

Note:

1. Unless otherwise specified, all specifications and parameters shall be measured at the conditions of 230Vac (50Hz), rated load and 25°C of ambient temperature.
2. Including setting error, line regulation and load regulation.

Environmental

Environmental categories	Parameter
Working temperature	-40 ~ +55°C@200-277Vac
Max.Case Temp.	-40 ~ 90°C
Working humidity	20 ~ 90% RH, non condensing
Storage temperature、 humidity	-40 ~ +80°C, 10 ~ 90% RH
Resistant to vibration	10 ~ 500Hz, 5G 12 min/cycle, X, Y, Z axis 72 min each
MTBF	230Khrs min. MIL-HDBK-217F (Ta=25°C)
Lifetime	50000 hours @Tcase≤75°C,230Vac, 80% Load, Please refer to "Tcase VS Lifetime" section

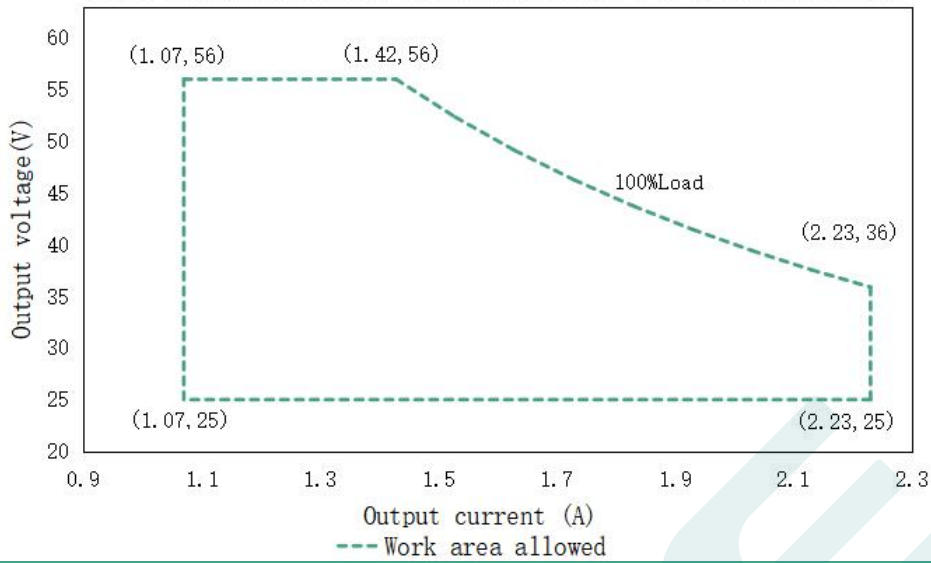
Safety and EMC

Safety categories	Standard
Safety	GB19510.1、GB19510.14、EN61347-1、EN61347-2-13、IEC61347-1、IEC61347-2-13、AS/NZS61347.1、AS61347.2.13 UL8750;
EMC	EN 55015、EN 61000-3-2 、GB/T 17743、GB17625.1、EN 61000-3-3
Surge protection	Differential mode L-N ±6KV (2 ohm) ,common mode L , N-PE± 10 KV (12 ohm) ; Refer to IEC61000-4-5 2014 Criterion B
High-pot test	I/P-O/P:3.858KVac I/P-PE :1.554KVac I/P-DIM:1.554KVac O/P-PE : 1.15KVac(DL-80H-56A/P-MXC) O/P-PE : 1.32KVac(DL-80H-115A/P-MXC) O/P-DIM:1.15KVac(DL-80H-56A/P-MXC) O/P-DIM:1.32KVac(DL-80H-115A/P-MXC)
Insulation impedance	I/P-PE:100MΩ / 500VDC; I/P-O/P:100MΩ / 500VDC / 25°C/ 70% RH
Leakage current	<0.7mA@277Vac

Note: The driver is considered as a component that will be operated in combination with the final equipment. Since EMC performance will be affected by the complete installation,the final equipment manufacturers must re-qualify EMC Directive on the complete installation again.

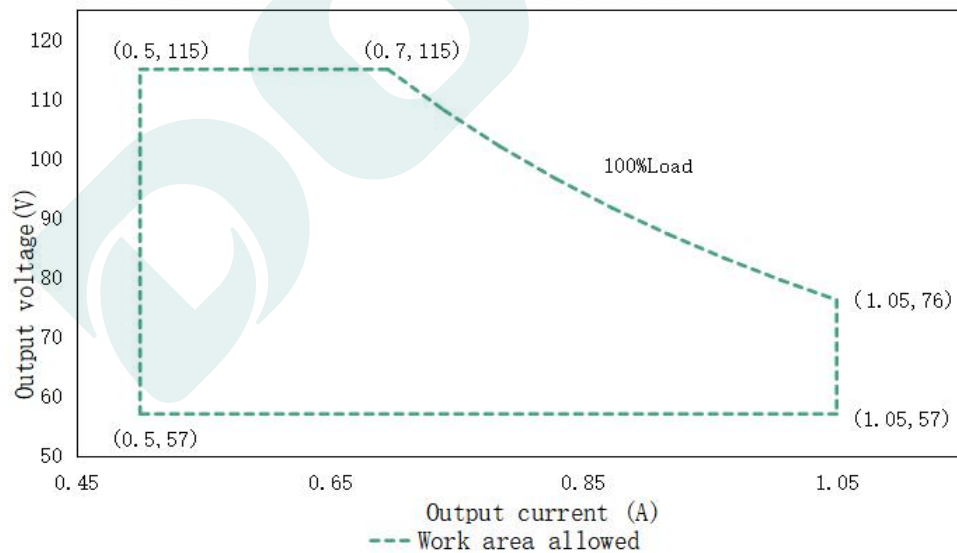
I-V Working area

Output voltage VS output current of DL-80H-56A/P-MXC (input: 200-277Vac)



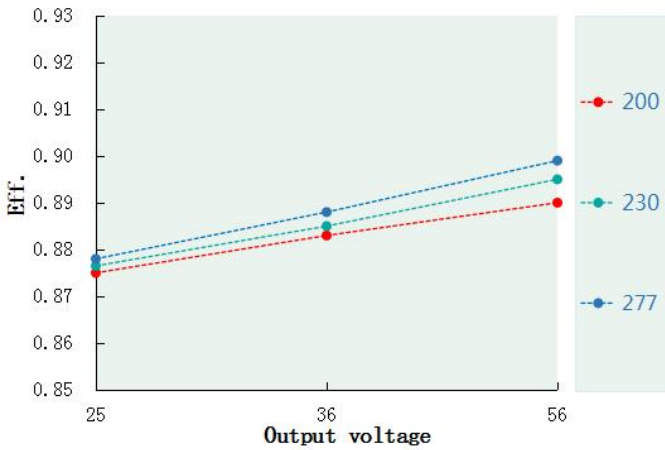
Load	Output								
Load working Voltage	25V	29V	33V	36V	40V	44V	48V	52V	56V
Io_MAX	2.23A	2.23A	2.23A	2.22A	2A	1.18A	1.66A	1.53A	1.42A
Po_MAX	55.75W	64.67W	73.59W	80W	80W	80W	80W	80W	80W

Output voltage VS output Current DL-80H-115A/P-MXC(input:200-277Vac)

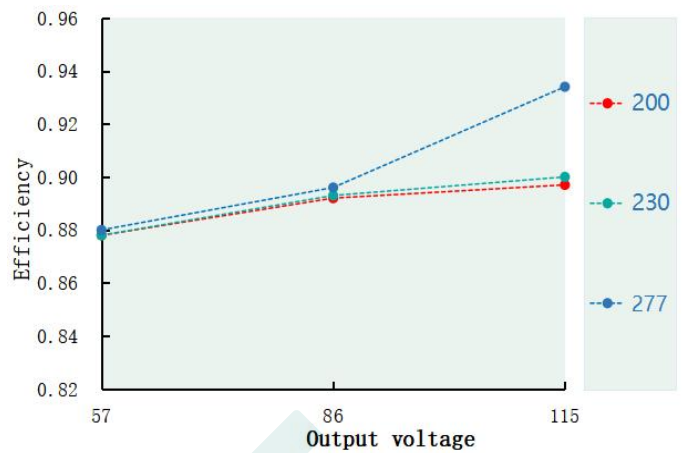


Load	Output								
Load working Voltage	57V	64V	71V	76V	85V	92V	100V	107V	115V
Io_MAX	1.05A	1.05A	1.05A	1.05A	0.94A	0.87A	0.8A	0.75A	0.7A
Po_MAX	60W	67W	75W	80W	80W	80W	80W	80W	80W

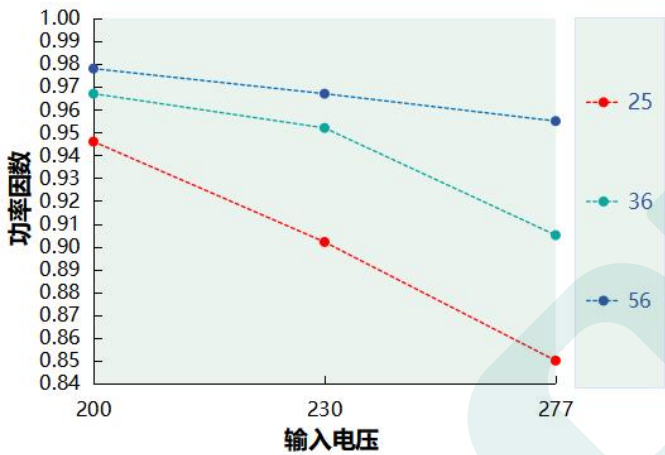
Eff. VS Output voltage(DL-80H-56A/P-MXC)



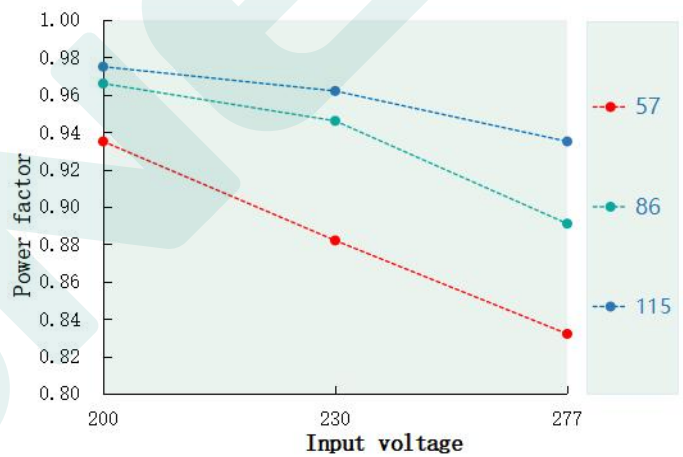
Eff. VS Output voltage(DL-80H-115A/P-MXC)



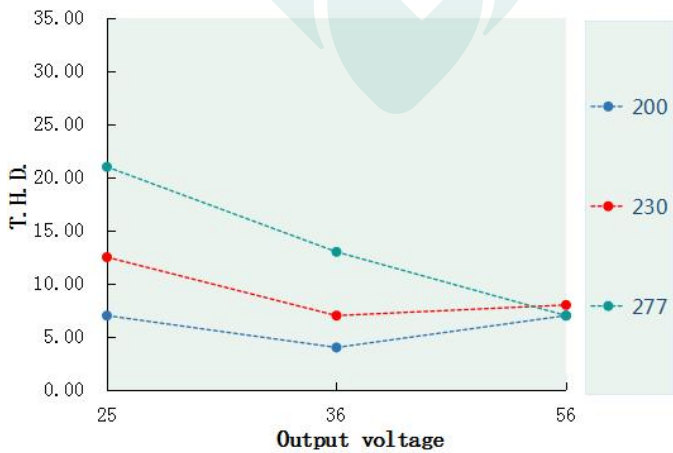
Power factor VS Input voltage(DL-80H-56A/P-MXC)



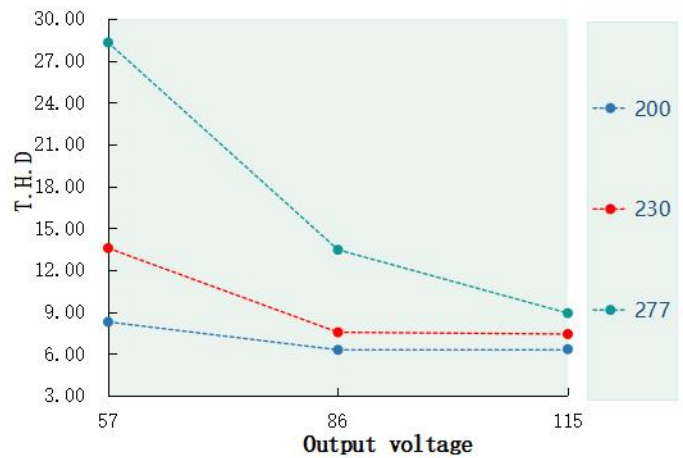
Power factor VS Input voltage(DL-80H-115A/P-MXC)



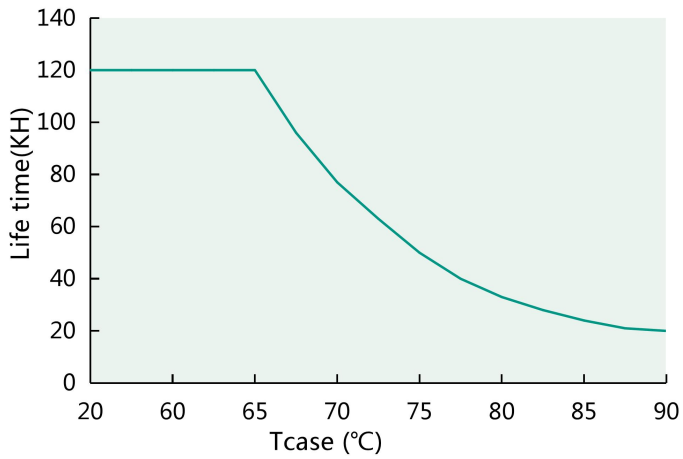
T.H.D. VS Output voltage(DL-80H-56A/P-MXC)



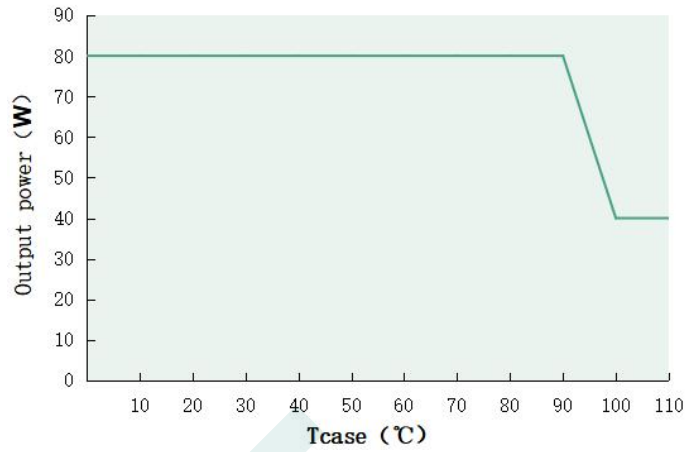
T.H.D. VS Output voltage(DL-80H-115A/P-MXC)



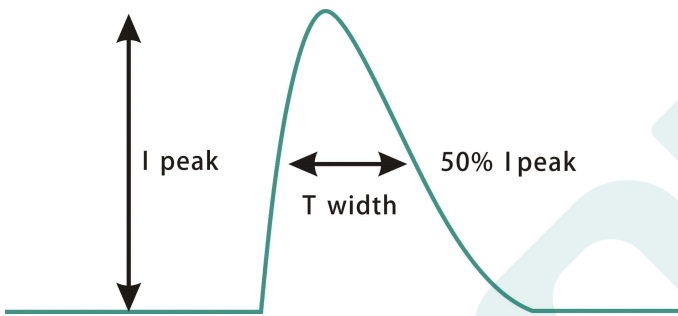
Tc VS Lifetime(DL-80H-56A/P-MXC)



Output power VS Tc (DL-80H-MXC)

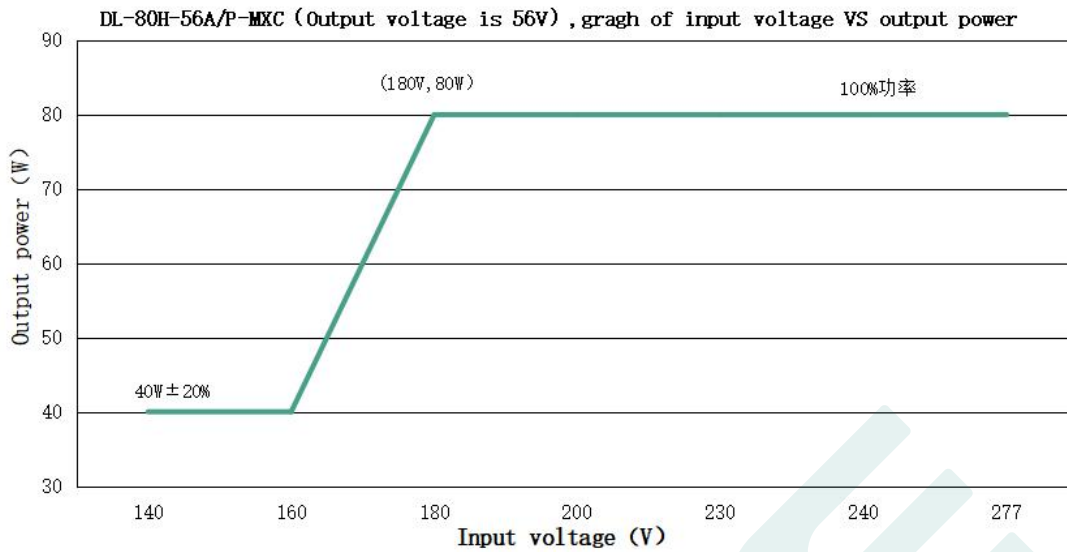


Inrush Current(DL-80H-MXC)



Input voltage	Peak current	T(@50% Peak current)
200Vac	40.5A	148us
230Vac	42A	172us
277Vac	50.6A	194us

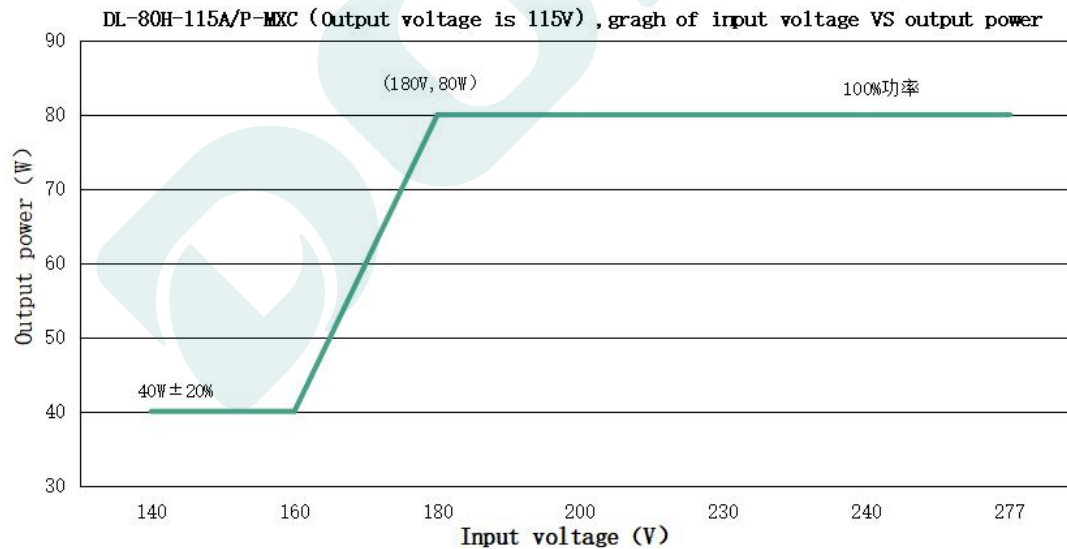
Output power VS Input voltage



DL-80H-56A/P-MXC(When the output voltage is 56Vdc,the rated output current value and output power corresponding to different input voltage)

Input Voltage	140Vac	160Vac	180Vac	220Vac	230Vac	240Vac	277Vac
Iout	0.71A	0.71A	1.42A	1.42A	1.42A	1.42A	1.42A
Pout	40W	40W	80W	80W	80W	80W	80W

Note: Output power will decrease gradually when input voltage less than 180Vac±10%;the output power gradually decreases.



DL-80H-115A/P-MXC(When the output voltage is 115Vdc,the rated output current value and output power corresponding to different input voltage)

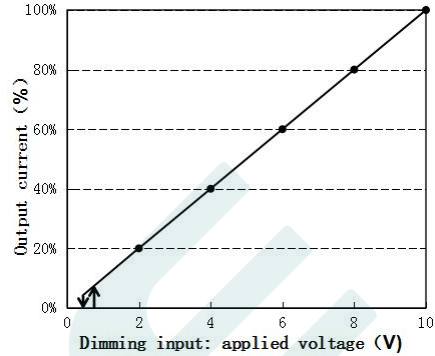
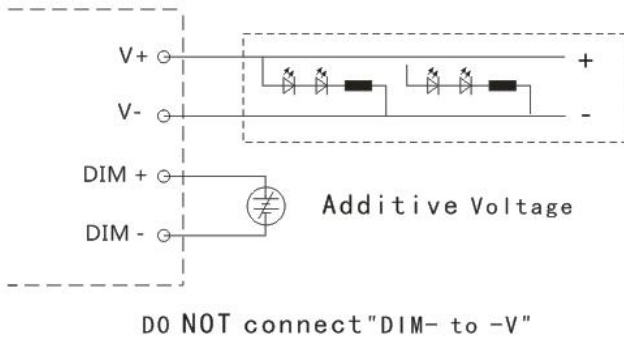
Input Voltage	140Vac	160Vac	180Vac	220Vac	230Vac	240Vac	277Vac
Iout	0.35A	0.35A	0.7A	0.7A	0.7A	0.7A	0.7A
Pout	40W	40W	80W	80W	80W	80W	80W

Dimming operation

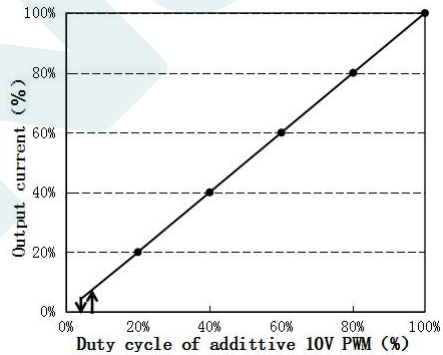
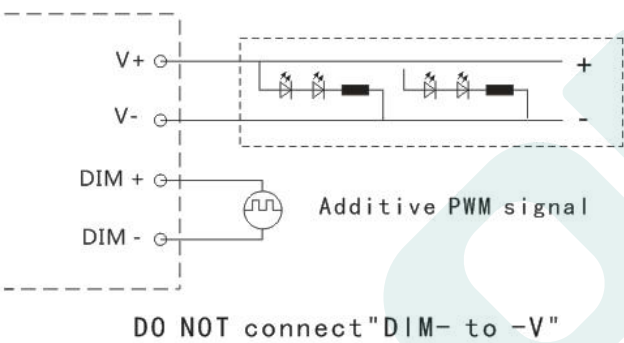
※ Three-in-one dimming function (P version only)

- A. connect a resistor 10k-100K or 1-10V DC voltage or 10% PWM signal between DIM+ and DIM- to adjust the output current.
- B. output current of dimming port: 100uA (typical value). (to be determined!)

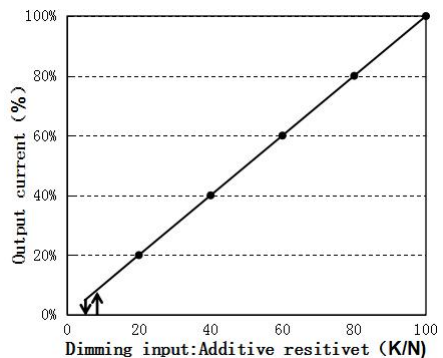
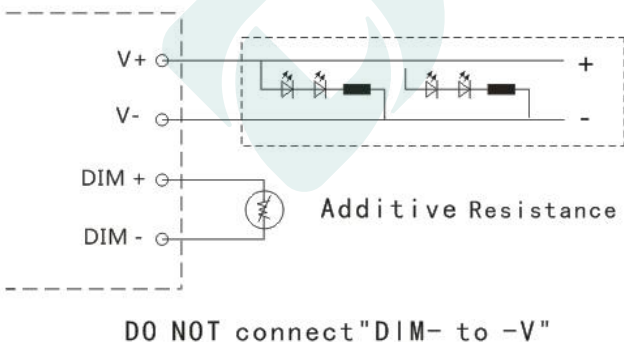
◉ With an applied voltage of 1-10V:



◉ Applying additive 10V PWM signal (Frequency range : 300Hz-2K Hz) :



◉ With an additional 10K-100K resistor:



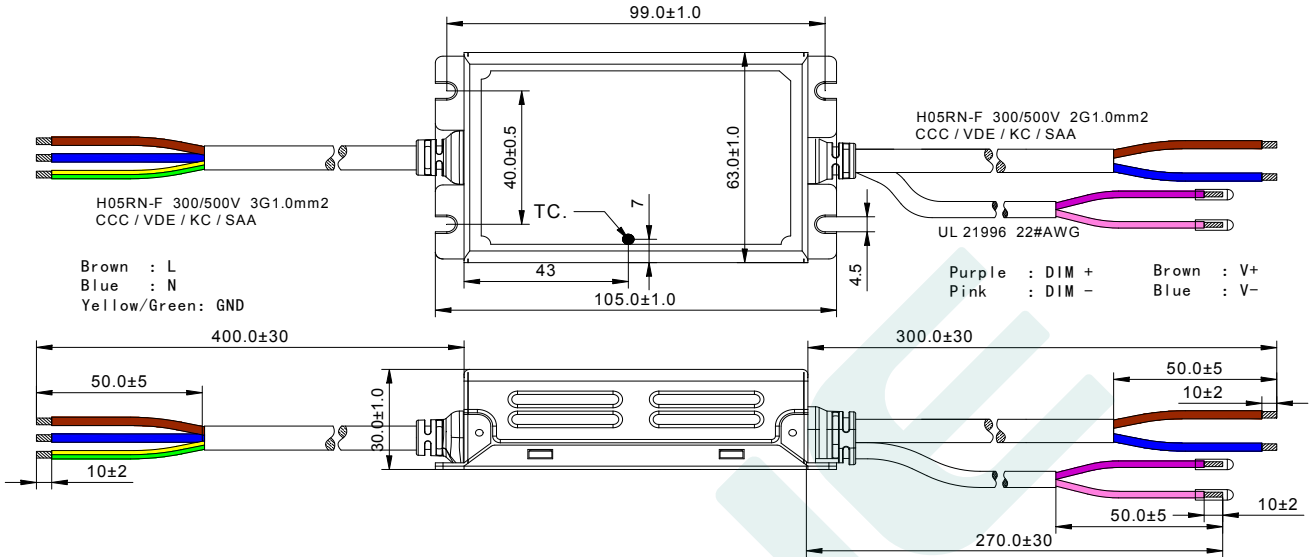
Note:

1. Positive and negative logic dimming can be set through the program.
2. Dimming off applies only to positive logic. For other requirements, contact technical support.
3. After the overtemperature protection is enabled, the dimming power is 50% of the original when the P version is 5-10V.
 When the dimming power is less than 5V, the dimming power is changed according to the 0-5V dimming power.

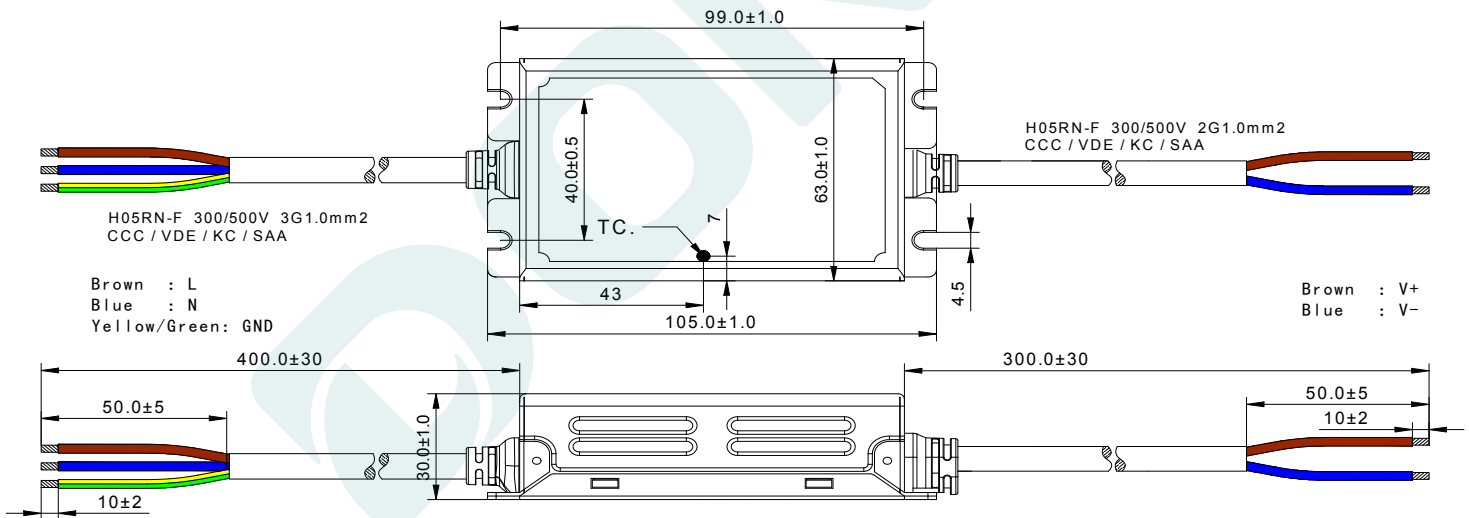
Mechanical specification

Size (mm) L105*W63*H30

DL-80H-56P/115P-MXC



DL-80H-56A/115A-MXC

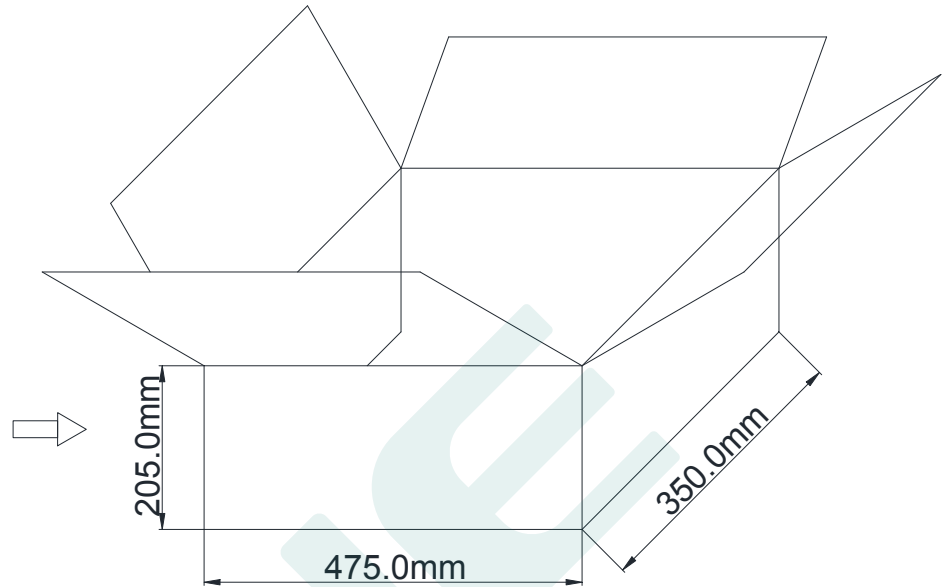
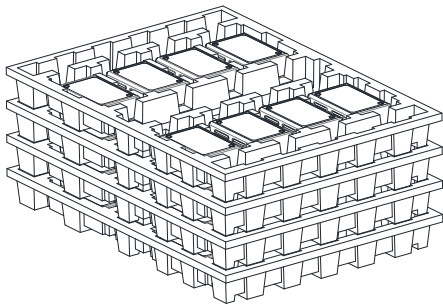


Weight

Weight 400 g

Packaging

Packaging (mm) L475*W350*H205



Note : One Carton 4 layers and 8 pcs each layer, total 32pcs/carton.

Note:

1. According to the certificate obtained by the LED DRIVER, the LED DRIVER with the English label is sold in Europe, America and India.
2. The LED DRIVER with Chinese label is only used for China market.

Version

DATE	DESCRIPTION	REV.	CHECK
2024.02.29	Initial version.	V1.0	
2024.9.6	The model changed from 75H to 80H, add 115A/P version.	V1.1	
2025.1.10	Modify input voltage on page 2 and High-pot test on page 7..	V1.2	
2025.8.14	Update Dimming characteristic on page 5, and Tcase VS Lifetime curve	V1.3	
2025.12.19	Lightning protection level: common mode change to 10kV	V1.4	

MANUFACTRUER

EDIT

CHECK

APPROVE